



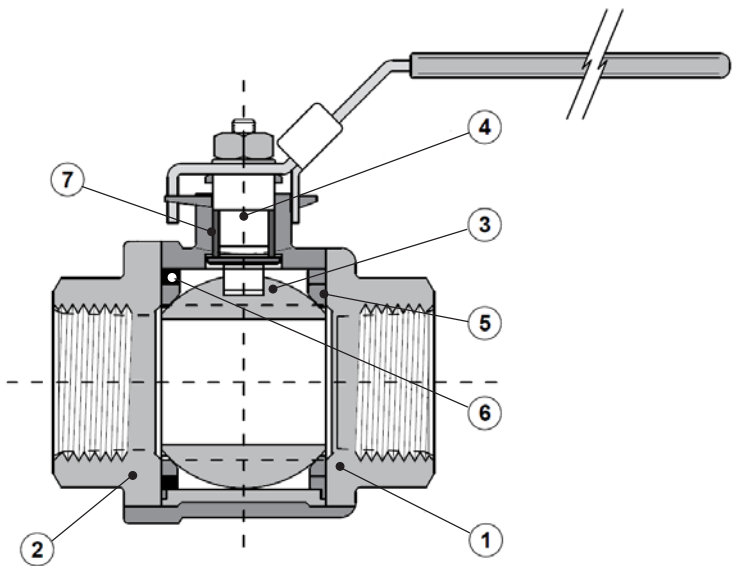
Two-Piece Ball Valve, Full Port, Sizes 1/4" ~ 3"



The SVF Series BEV full port ball valves are designed for general purpose performance in a wide variety of utility applications. The BEV is an economical, manually operated valve that meets industry requirements for performance and dependability.

BEV DESIGN FEATURES

- ✓ 316 Stainless Steel body, ball and stem
- ✓ Pressure rated for 1,000 WOG
- ✓ Full Port flow path for maximum flow
- ✓ Designed & built for economical performance
- ✓ Threaded end connectors
- ✓ Lightweight and economical
- ✓ Vinyl grip handle
- ✓ Blowout proof stem adds safety & reliability
- ✓ Lockable in the "Open" or "Closed" position



MATERIALS OF CONSTRUCTION

ITEM	DESCRIPTION	MATERIALS SPECIFICATIONS
1	Body	316 Stainless Steel (ASTM A351 CF8M)
2	End Connector	316 Stainless Steel (ASTM A351 CF8M)
3	Ball	316 Stainless Steel
4	Stem	316 Stainless Steel
5	Seat	RTFE
6	Body Seal	PTFE
7	Stem Seal	PTFE

SPECIFICATION STANDARDS OF COMPLIANCE

SVF Series BEV Ball Valves are available in designs that meet the following Industry Standards:

- ANSI
- NACE
- DIN
- ASME
- ASTM
- ISO
- API
- MSS

Contact SVF for specific applications

What do you need today?™





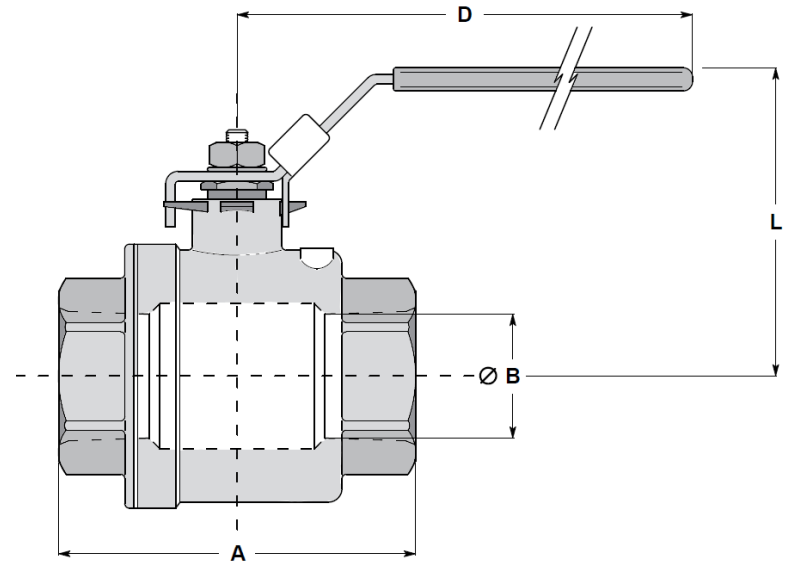
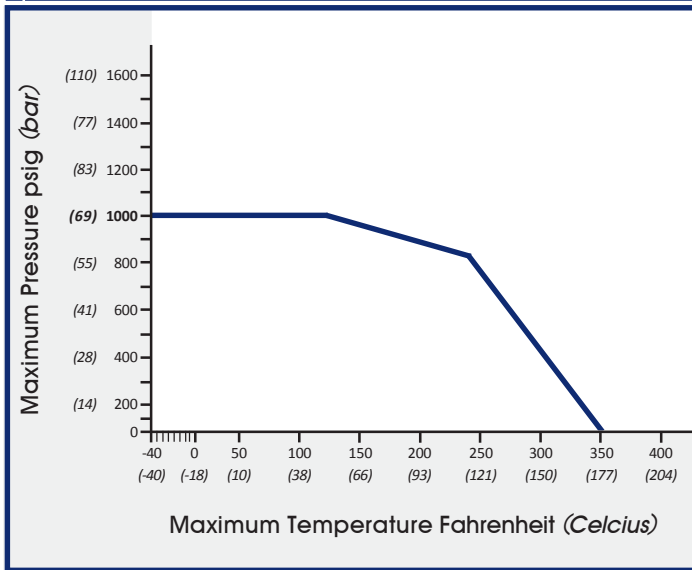
Two-Piece Ball Valve, Full Port, Sizes 1/4" ~ 3"



DIMENSIONS, WEIGHT, Cv

Size	A		B		D		L		Weight.		Cv
	in.	mm	in.	mm	in.	mm	in.	mm	lbs	kg	
1/4"	2.00	51	0.45	11	3.94	100	2.16	55	0.75	0.3	19
3/8"	2.01	51	0.48	12	3.94	100	2.16	55	0.75	0.3	25
1/2"	2.25	57	0.59	15	3.94	100	2.32	59	0.75	0.3	37
3/4"	2.58	66	0.79	20	4.95	127	2.55	65	1.75	0.8	68
1"	3.06	78	1.00	25	5.75	146	3.42	86	2.33	1.1	110
1-1/4"	3.55	90	1.25	32	5.73	146	3.54	90	3.75	1.7	185
1-1/2"	4.17	106	1.48	38	7.45	189	4.13	105	5.00	2.3	267
2"	4.84	123	1.97	50	7.45	189	4.37	111	8.75	4.0	485
2-1/2"	5.80	147	2.48	63	9.90	251	5.20	132	15.65	7.1	792
3"	3.00	164	3.00	76	9.90	251	5.55	141	26.00	11.8	1152

BEV - PRESSURE/TEMPERATURE CHART



HOW TO ORDER SERIES BEV BALL VALVES

SERIES	BODY & END MATERIAL	BALL & STEM MATERIAL	SEAT	BODY SEAL	ENDS	SIZE	
BEV	66 = 316 Stainless Steel ASTM A351 CF8M	66 = 316 Stainless Steel ASTM A351 CF8M	R = RTFE	T = PTFE	SE = Screwed Ends (FNPT)	02= 1/4"	12= 1-1/4"
						03= 3/8"	15= 1-1/2"
						05= 1/2"	20= 2"
						07= 3/4"	25= 2-1/2"
						10= 1"	30= 3"

Order Example: (BEV6666RTSE05)

Example Description: 316 Stainless Steel Body & Ends, 316 Stainless Steel Ball & Stem, RTFE Seat, PTFE Body Seal, Screwed Ends (FNPT), 1/2" Size

BEV	66	66	R	T	SE	05
-----	----	----	---	---	----	----

Subject to revision. Please visit www.SVF.net for the latest updates on this Data Sheet. All Data Sheets posted on our website supersede all prior publications • [Document #DDS-BEV-07/2010 • Series BEV Data Sheet • 07/08/2010]